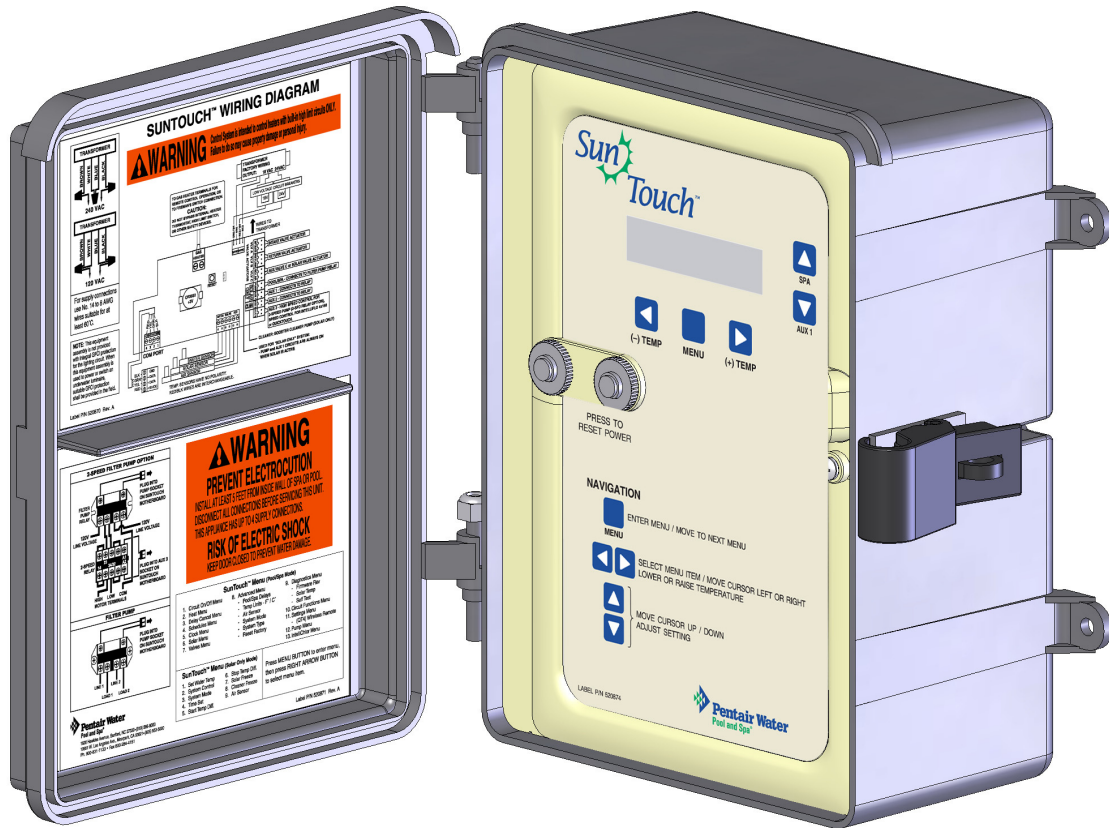


SunTouch™

Pool and Spa Control System



Installation and User's Guide

IMPORTANT SAFETY INSTRUCTIONS
READ AND FOLLOW ALL INSTRUCTIONS
SAVE THESE INSTRUCTIONS

© 2007 Pentair Water Pool and Spa, Inc. All rights reserved

This document is subject to change without notice

1620 Hawkins Ave., Sanford, NC 27330 • (919) 566-8000
10951 West Los Angeles Ave., Moorpark, CA 93021 • (805) 553-5000

SunTouch, IntelliChlor, IntelliFlo, QuickTouch and Pentair Water Pool and Spa are trademarks and registered trademarks of Pentair Water Pool and Spa, Inc. Other trademarks and trade names may be used in this document to refer to either the entities claiming the marks and names or their products. Pentair Water Pool and Spa, Inc. disclaims proprietary interest in marks and names of others.

SunTouch Solar Package Contents

SunTouch Solar (P/N 520819)

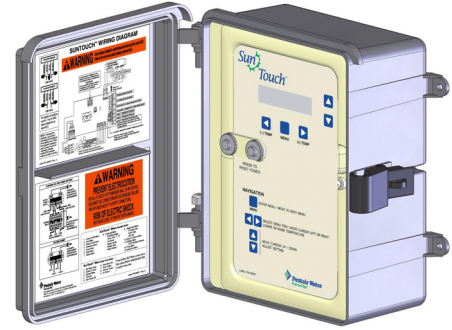
- SunTouch Power Center - QTY 1
- Valve actuator assembly (P/N 263045) - QTY 1
- Solar valve (P/N 263047) - QTY 1
- Temperature sensors (20 ft. water, solar 40 inches) - QTY 2

SunTouch Solar with non-solar 3-way valve (P/N 520856)

- SunTouch Power Center - QTY 1
- Actuator (P/N 263045) - QTY 1
- Valve, three-way (P/N 263026) - QTY 1
- Temperature sensors - (20 ft. water, solar 40 inches) - QTY 2

SunTouch Booster Pump Version (P/N 520857)

- SunTouch Power Center - QTY 1
- Relay (P/N 520106) - QTY 1
- Temperature sensors (20 ft. water, solar 40 inches) - QTY 2



SunTouch Power Center

SunTouch Pool/Spa Package Contents

SunTouch Single Body (P/N 520859)

- SunTouch Power Center - QTY 1
- Relay (P/N 520106) - QTY 3
- Temperature sensors (20 ft. water, air 40 inches) - QTY 2

SunTouch Power Center (P/N 520820)

- SunTouch Power Center - QTY 1
- Actuator (P/N 263045) - QTY 2
- Relay (P/N 520106) - QTY 3
- Temperature sensors (20 ft. water, air 40 inches) - QTY 2

Accessories

- QuickTouch remote controller kit (P/N 520148)
- Relay (P/N 520106)
- Temperature sensor (P/N 520272)
- Two-Speed pump relay (P/N 520198)
- Emergency Shut-Off Switch with audible alarm (P/N ES03)

Replacement Parts

- SunTouch Power Center door (P/N 520814Z)
- SunTouch Power Center door Latch (P/N LXLATCH)
- Temperature sensor kit (20 ft.) - (P/N 520272)
- SunTouch circuit board (P/N 520645Z)
- QuickTouch remote controller (P/N 520129)
- QuickTouch antenna replacement (P/N 520241)
- QuickTouch circuit board assembly (P/N 520419)
- Standard transformer kit (P/N 520841Z)

Optional Equipment

- IntelliChlor Electronic Chlorine Generator Electrolytic Cell (model IC20 (P/N 520554) or IC40 (P/N 520555))
- IntelliFlo 4x160, pump (P/N 011013)



CVA-24T Valve Actuator
(P/N 263045)

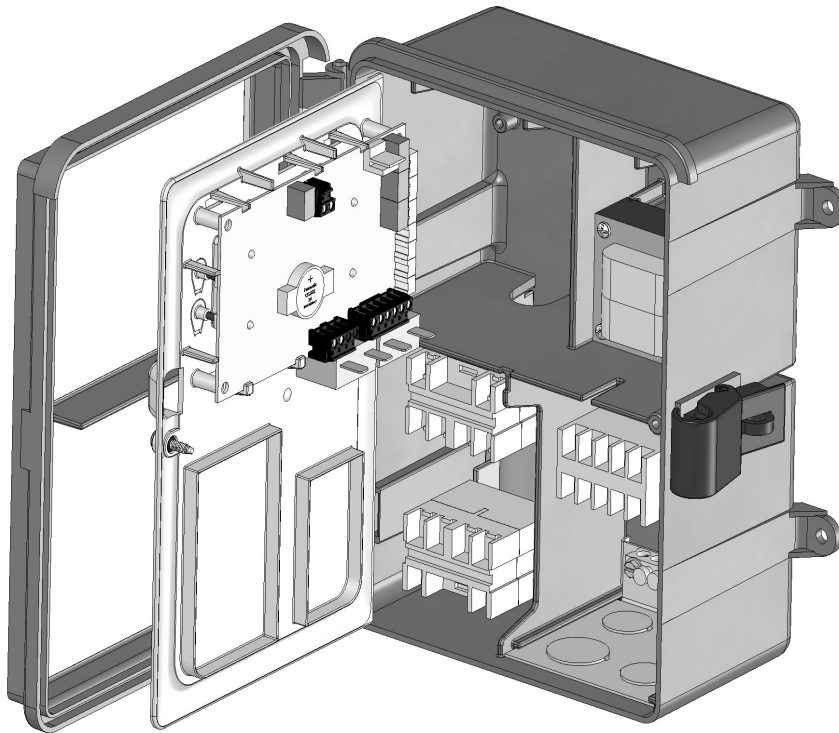


PTV-2TS 3-Port Valve
(P/N 263047)



10 k Ω Temperature Sensor
(P/N 520272)

SunTouch System Overview



QuickTouch (QT4)
Wireless remote kit
(P/N 520148)
(Optional)

Temperature Sensors
(Water, Air and Solar)

SunTouch enclosure (with two
resettable circuit breakers
(18 VAC and 24 VAC).

Electrical Ratings:

Input:
120/240 VAC, 60/50 Hz,
820/410 mA maximum.

Output:
120 VAC, 20 FLA/120 LRA,
1.5 HP.
277 VAC, 17 FLA/120 LRA,
3.0 HP.
20 AMP Tungsten, 50/60 Hz.

- **Pumps**
Filter, Cleaner, Spa Jet -
1.5 HP 120 VAC
3 HP 277 VAC
20 FLA/120 LRA, 120 VAC
17 FLA/102 LRA, 277 VAC
- **Pool/Spa Lights**
1.5 KW 120 VAC Tungsten
4.8 KW 240 VAC Tungsten
20 AMP, 277 VAC Ballast
- **Pool/Spa Valve**
Suction and return.
24 VAC valve actuator,
shared equipment only
- **Valve actuators**
Valve A (intake), Valve B
(return), Valve C (Solar)
- **Heater**
Gas, Electric, and Solar
- **Relays**
25 AMP, 277 VAC

Optional equipment

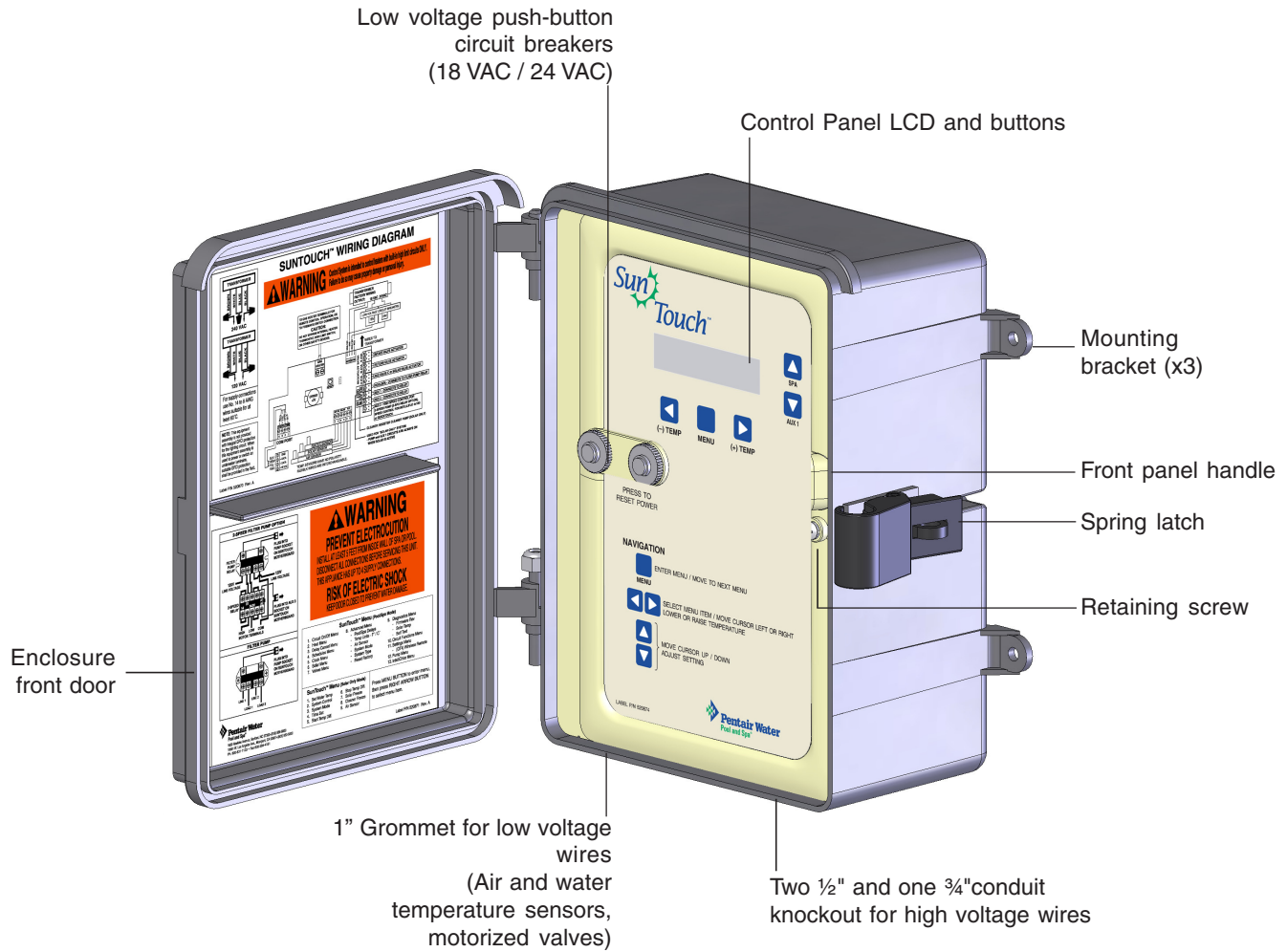


- IntelliChlor Salt Chlorine
Generator (SCG)
- IC20 P/N 520554/520556
- IC40 P/N 520555/520556
- Power Center
P/N 520556



- IntelliFlo 4x160
P/N 011013
(see page 30)

SunTouch Power Center (Front View)



SunTouch Power Center (Front View)
(14" H x 12" W x 4 3/4" D)

